

Plastic Pendant Mount for Bullet Cameras

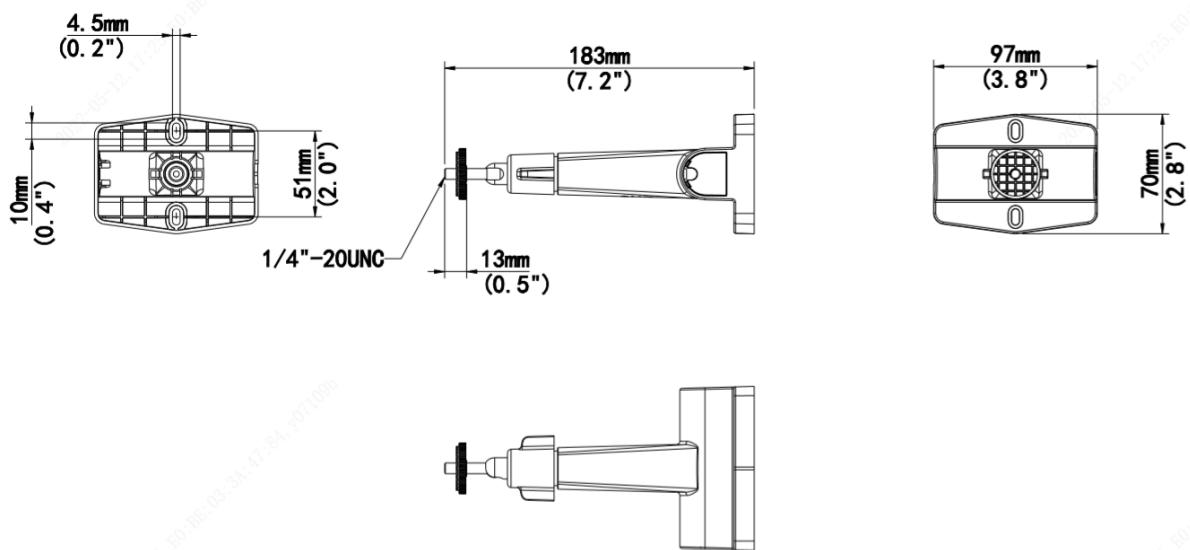
TR-CM08P-A



Overview

This product is used to mount bullet network cameras on ceilings, walls and desktops.

Dimensions



Features

- Made of plastic, light and portable, easy to install.
- Reasonable structure design, stable and firm.
- Multiple installation methods, universal adjustment of viewing angle.

Specifications

Parameter	Description
Application scenarios	Indoor/outdoor
IP rating	IP54
Dimensions	183mm×97mm×70mm
Adjustment angle	Horizontal: 0° to 360° Vertical: -107° to 107°
Material	PC&PP
Weight	76.5g

Ordering Information

Item	Quantity	Remarks
TR-CM08P-A	100pcs/case	Plastic Pendant Mount for Bullet Cameras

Zhejiang Uniview Technologies Co., Ltd.

Building No.10, Wanlun Science Park, Jiangling Road 88, Binjiang District, Hangzhou, Zhejiang, China

Email: overseasbusiness@uniview.com; globalsupport@uniview.com

<http://www.uniview.com>

©2023 Zhejiang Uniview Technologies Co., Ltd. All rights reserved.

* Product specifications and availability are subject to change without notice.